

Ninja BB Installation Instructions



IMPORTANT NOTICE:

- Do not alter this product in any way as it can cause unseen damage. Any modifications to this product will void the warranty.
- TOKEN suggests taking your bottom bracket to your local authorized TOKEN dealer for installation, service and adjustments.
- Read the user's guide before installation and use. Follow all instructions carefully. If you have any questions, don't ride the bike. Take it to your local TOKEN dealer for assistance.

BEFORE RIDING:

- Check that there is no side-to-side movement in the bottom bracket. Also check that the cranks spin smoothly. If there is movement or the bottom bracket is not smooth, take the bicycle to your local TOKEN dealer for service or replacement.

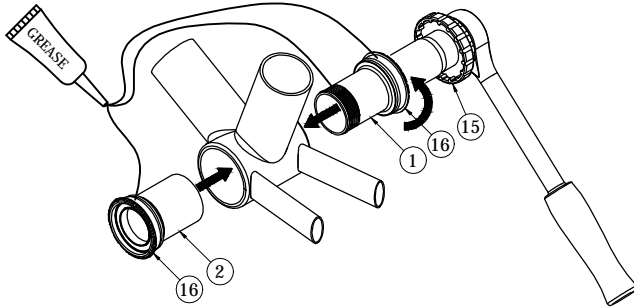
- Ensure that the cranks are firmly attached to the bottom bracket. Improperly attached cranks can become detached from the bicycle and serious injury can result. Never ride a bicycle with improperly attached cranks.

AFTER RIDING:

- When cleaning the bottom bracket, only use mild soap and water. Never spray the bottom bracket with high-pressure water. Water can enter the bottom bracket and cause it to wear prematurely.

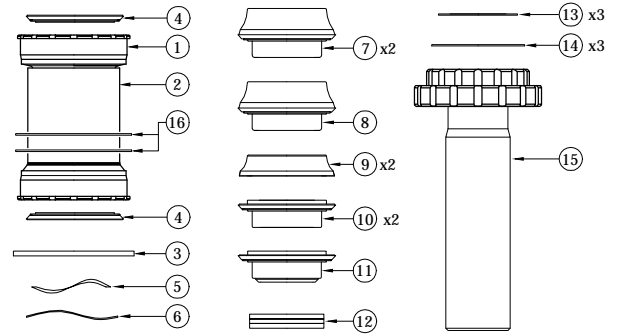
WARRANTY:

All TOKEN products are guaranteed against defects in materials or workmanship for two (2) years from the original date of purchase. This warranty applies to the original owner only and is not transferable. The warranty is considered void if resold. The warranty does not cover normal wear and tear or damage from abuse. Please see our website or contact your local dealer or distributor for more details.



- Step 1**
Apply thin layer of grease to adaptors and threads.
- Step 2**
Thread the ① drive side cup clockwise into the ② non-drive side cup by hand until the BB cups touch the bottom bracket shell.
- Step 3**
Use a torque wrench with the ⑮ BB Installation Tool to tighten to 25-30 N.m (221-266 in-lb)
- Step 4**
Install any necessary adaptor, according to this manual.

MODEL: TF37/TF37-TBT



⑬ and ⑭ micro adjustment spacers and are ONLY needed when chainline or bearing preload need to be changed.



Note: If the bottom bracket cup can be pressed into the frame by hand without effort, the frame BB shell may be oversized and #C3" cups or adaptors (sold separately) may be required. Contact your local dealer, or TOKEN via our website for more information.

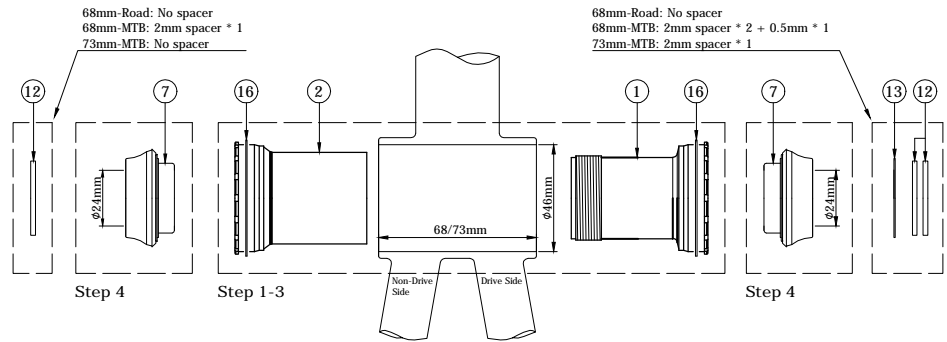
www.tokenproducts.com

		SHIMANO CRANKSET (ROAD ONLY)																											
BB386 FRAME	MODEL: TF38624 TF38624-TBT	<table border="1"> <thead> <tr> <th>No.</th> <th>Description</th> <th>Q'ty</th> </tr> </thead> <tbody> <tr> <td>1</td> <td>Right Cup</td> <td>1</td> </tr> <tr> <td>2</td> <td>Left Cup</td> <td>1</td> </tr> <tr> <td>10</td> <td>φ24mm Side Cover</td> <td>2</td> </tr> <tr> <td>15</td> <td>Installation Tool</td> <td>1</td> </tr> <tr> <td>16</td> <td>0.2mm Washer</td> <td>2</td> </tr> </tbody> </table>	No.	Description	Q'ty	1	Right Cup	1	2	Left Cup	1	10	φ24mm Side Cover	2	15	Installation Tool	1	16	0.2mm Washer	2									
	No.	Description	Q'ty																										
	1	Right Cup	1																										
	2	Left Cup	1																										
10	φ24mm Side Cover	2																											
15	Installation Tool	1																											
16	0.2mm Washer	2																											
MODEL: TF386GXP TF386GXP-TBT	<table border="1"> <thead> <tr> <th>No.</th> <th>Description</th> <th>Q'ty</th> </tr> </thead> <tbody> <tr> <td>1</td> <td>Right Cup</td> <td>1</td> </tr> <tr> <td>2</td> <td>Left Cup</td> <td>1</td> </tr> <tr> <td>3</td> <td>2mm Spacer</td> <td>1</td> </tr> <tr> <td>5</td> <td>φ24mm Wave Washer</td> <td>1</td> </tr> <tr> <td>10</td> <td>φ24mm Side Cover</td> <td>1</td> </tr> <tr> <td>11</td> <td>φ22mm Side Cover</td> <td>1</td> </tr> <tr> <td>15</td> <td>Installation Tool</td> <td>2</td> </tr> <tr> <td>16</td> <td>0.2mm Washer</td> <td>2</td> </tr> </tbody> </table>	No.	Description	Q'ty	1	Right Cup	1	2	Left Cup	1	3	2mm Spacer	1	5	φ24mm Wave Washer	1	10	φ24mm Side Cover	1	11	φ22mm Side Cover	1	15	Installation Tool	2	16	0.2mm Washer	2	
No.	Description	Q'ty																											
1	Right Cup	1																											
2	Left Cup	1																											
3	2mm Spacer	1																											
5	φ24mm Wave Washer	1																											
10	φ24mm Side Cover	1																											
11	φ22mm Side Cover	1																											
15	Installation Tool	2																											
16	0.2mm Washer	2																											
MODEL: TF4630 TF4630-TBT	<table border="1"> <thead> <tr> <th>No.</th> <th>Description</th> <th>Q'ty</th> </tr> </thead> <tbody> <tr> <td>1</td> <td>Right Cup</td> <td>1</td> </tr> <tr> <td>2</td> <td>Left Cup</td> <td>1</td> </tr> <tr> <td>4</td> <td>φ30mm Side Cover</td> <td>2</td> </tr> <tr> <td>6</td> <td>φ30mm Wave Washer</td> <td>1</td> </tr> <tr> <td>15</td> <td>Installation Tool</td> <td>2</td> </tr> <tr> <td>16</td> <td>0.2mm Washer</td> <td>2</td> </tr> </tbody> </table>	No.	Description	Q'ty	1	Right Cup	1	2	Left Cup	1	4	φ30mm Side Cover	2	6	φ30mm Wave Washer	1	15	Installation Tool	2	16	0.2mm Washer	2							
No.	Description	Q'ty																											
1	Right Cup	1																											
2	Left Cup	1																											
4	φ30mm Side Cover	2																											
6	φ30mm Wave Washer	1																											
15	Installation Tool	2																											
16	0.2mm Washer	2																											

SHIMANO CRANKSET (68mm-Road / 68mm-MTB / 73mm-MTB)

MODEL: TF4624
TF4624-TBT

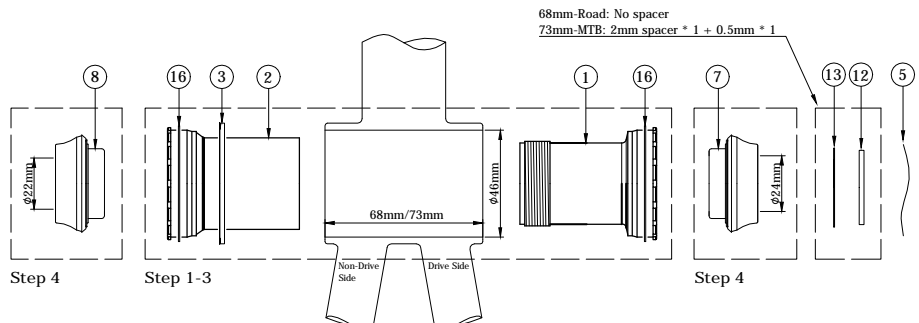
No.	Description	Q'ty
1	Right Cup	1
2	Left Cup	1
7	φ24mm Side Cover	2
12	2mm Spacer	3
13	0.5mm Spacer	1
15	Installation Tool	1
16	0.2mm Washer	2



SRAM GXP CRANKSET (68mm-Road / 73mm-MTB)

MODEL: TF46GXP
TF46GXP-TBT

No.	Description	Q'ty
1	Right Cup	1
2	Left Cup	1
3	2mm Spacer	1
5	φ24mm Wave Washer	1
7	φ24mm Side Cover	1
8	φ22mm Side Cover	1
12	2mm Spacer	1
13	0.5mm Spacer	1
15	Installation Tool	1
16	0.2mm Washer	2

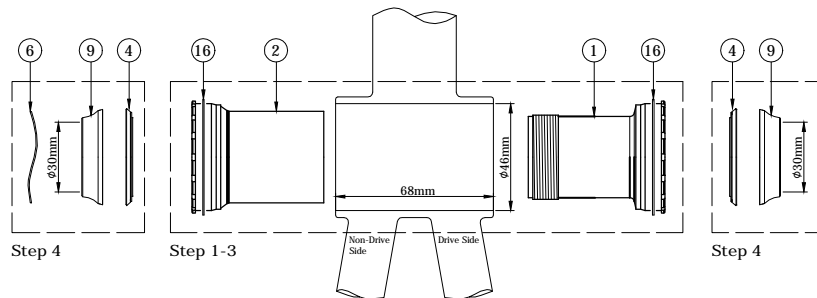


* 1: (12) and (13) are ONLY needed for GXP MTB with 73mm BB shell.

BB386 CRANKSET

MODEL: TF46386
TF46386-TBT

No.	Description	Q'ty
1	Right Cup	1
2	Left Cup	1
4	Side Cover	2
6	φ30mm Wave Washer	1
9	φ30mm Conical Spacer	2
15	Installation Tool	1
16	0.2mm Washer	2



BB30 CRANKSET (ROAD ONLY)

MODEL: TF4630
TF4630-TBT

No.	Description	Q'ty
1	Right Cup	1
2	Left Cup	1
4	φ30mm Side Cover	2
6	φ30mm Wave Washer	1
15	Installation Tool	1
16	0.2mm Washer	2

